

190-491-190 36" Snow Thrower (1988)
36" Snow Thrower Drive Assembly

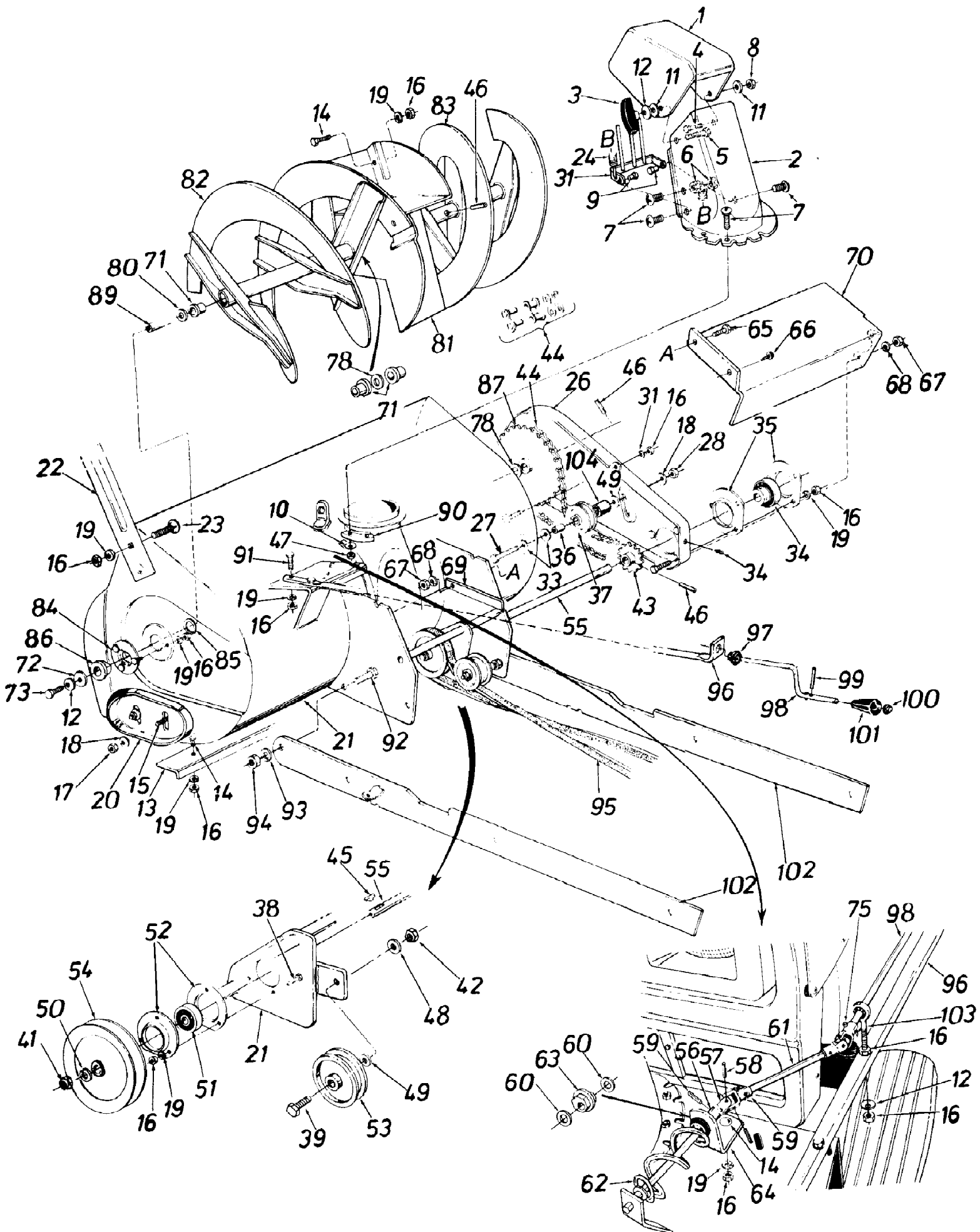
Page 2 of 6

Ref #	Part Number	Qty	S/P/F	Description
1	710-0299	1		Hex Bolt 1/4-28 x 1.00" Lg. Grade 5
2	736-0329	1	S	L.-Wash. 1/4" I.D.*
3	712-0138	1	S	Hex Nut 1/4-28 Thd.*
4	712-0375	1	/P	Hex Cent. L-Nut 3/8-16 0 Thd.
5	756-0417	1	S	Idler Pulley
6	754-0299	1	S	"V" Belt
7	712-0242	1	S	Hex Jam Nut 5/8-11 Thd.
8	736-0158	1	S	L.-Wash. 5/8" I.D.*
9	756-0216	1		6.50" O.D. x 5/8 Pulley
10	738-0129	1		Shoulder Bolt
11	05826	1		Channel Support Brkt.-R.H.
12	05835	1		Linkage Brkt.
13	05836	1		Linkage Arm Ass'y.
14	714-0101	1	S	Intern. Cotter Pin .50 Dia.*
15	736-0192	1	S	Fl.-Wash.
16	710-0528	1	/P	Hex Bolt 5/16 x 1.25" Lg.
17	736-01609	1		L.-Wash. 3/8" I.D.*
18	712-0342	1	/P	Hex Jam Nut 3/8-16 Thd.
19	08253	1	S	Bearing Housing
20	736-0119	1	S	L.-Wash. 5/16" I.D.*
21	712-0267	1	S	Hex Nut 5/16-18 Thd.*
22	05406	1	S	Belt Guard
23	714-0388	1	S	#Hi-Pro-Key 3/16 x 5/8" Dia.
24	738-0246	1		Pulley Spindle
25	756-0457	1		5/8 Pulley-6.28 I.D. x 5.56 O.D.
26	750-0503	1	S	Spacer.383 I.D. x .503 O.D. x .562 Lg.
27	732-0470	1	S	Extension Spring .54 O.D. x 5.25"
28	738-0140	1	S	Shoulder Bolt
29	714-0111	1	S	Cotter Pin 3/32" Dia.
30	736-0300	1	S	Fl.-Wash.
31	747-0533	1	S	Control Rod (Clutch)
32	711-0723	1	S	Ferrule
34	710-0198	1	S	Hex Sems Scr. 5/16-18 x .75" Lg.*
35	05409	1	S	Clutch Idler Brkt. Ass'y.
36	741-0919	1	S	Ball Bearing
37	05411	1		Channel Ass'y.
38	738-0242	1		Lift Handle Shaft
40	710-0642	1	/P	Hex Self-Tap Scr. 1/4-20 x .75" Lg.
	714-0101	1	S	Intern. Cotter Pin. .50" Dia.
44	05827	1	S	Channel Supporting Brkt.-L.H.
45	710-0253	1	S	Hex Bolt 3/8-16 x 1.0" Lg.
46	732-0146	1		Extension spring
47	736-0119	1	S	L.-Wash. 5/16" I.D.
48	712-0267	1	S	Hex Nut 5/16-18 Thd.
49	732-0323	1		Helper Spring
51	710-0646	1	S	Hex Scr. 5/16-18 x 2.0" Lg. Special
52	736-0242	1	/P	Bell Wash. .345 I.D. x .88 O.D. x .06
53	711-0509	1		Spring Insert
55	05933	1		Helper Spring Spring
59	736-0329	1	S	L.-Wash. 1/4" I.D.
60	710-0836	1		J.-Bolt 5/16-18 Thd.
62	754-0294	1	S	"V" Belt 1/2 "A" x .89" Lg.
64	710-0427	1		Hex Bolt 5/16 x 2.0" Lg.

190-491-190 36" Snow Thrower (1988)
36" Snow Thrower Drive Assembly

Page 3 of 6

Ref #	Part Number	Qty	S/P/F	Description
65	756-0417	1	S	Idler Pulley
66	750-0503	1	S	Spacer .385 I.D. x .503 O.D. x .562" Lg.
67	703-1292	1	S	Idler Arm Ass'y.
71	711-0242	1	S	Spacer .380" I.D.
72	750-0252	1	S	Spacer .3775 I.D. x .60 O.D. x 8.3 Lg.
73	736-0258	1	/P	Fl.-Wash. 3/8 I.D. x 1" O.D. x 1.27
76	710-0859	1	/P	Hex Bolt 3/8-16 x 2.5" Lg. (Grade 5)
77	756-0116	1	S	Idler Pulley .38 I.D. x 3.06 O.D.
78	711-0396	1	/P	Spacer .385 I.D. x .630 O.D. x .76 Lg.
79	07386	1		Fl.-Wash. .39 I.D. x 1-3/4 O.D. x 3/16"
80	712-0107	1	S	Hex L-Nut 1/4-20 Thd.
81	712-0798	1	/P	Hex Nut 3/8-16 Thd.
82	747-0532	1		Clutch Control Rod
83	712-0241	1	/P	Hex Nut 3/8-24 Thd.*
84	710-0331	1	/P	Hex Bolt 3/8-24 x 2.25" Lg.
	14632	1		Index Brkt. Hardened
	14802	1	S	Lift Link) (Not Shown)



190-491-190 36" Snow Thrower (1988)
36" Snow Thrower Tine Assembly

Page 5 of 6

Ref #	Part Number	Qty	S/P/F	Description
1	731-0846	1	S	Upper Chute
2	731-0843	1	S	Lower Chute
3	09966	1	S	Knob Handle Ass'y.
4	710-0323	1	/P	Truss Mach. Scr. 5/16-18 x .75" Lg.
5	710-0276	1	/P	Carriage Bolt 5/16-18 x 1.0"
6	712-0291	1	S	Hex Cent. L-Nut 5/16-18 Thd.
7	710-0255	1	S	Truss Mach. Scr. 1/4-20 x .75" Lg.
8	712-0158	1	S	Hex Cent. L-Nut 5/16-18 Thd.
9	738-0561	1	S	Shld. Nut 1/4-20 Thd.
10	736-0142	1	S	Fl. Wash. 1/4" I.D.
11	736-0231	1	S	Fl.-Wash. .344" I.D. x 1.125"
12	736-0242	1	/P	Bell. Wash. .345" I.D. x .88"
13	05378	1	S	Shave Place
14	710-0451	1	/P	Carriage Bolt 5/16-18 x .62"
15	710-0790	1	S	Carriage Bolt 3/8-16 x .62"
16	712-0267	1	S	Hex Nut 5/16-18 Thd.
17	712-0342	1	/P	Hex Jam Nut 3/8-16 Thd.
18	736-0105	1	/P	Bell. Wash. .40 I.D. x .88"
19	736-0119	1	S	L.-Wash. 5/16" I.D.
20	784-5038	1	S	Slide Shoe
21	784-5212	1		Spiral Hsg. Ass'y.-36"
22	05139	1	S	Guide Blade
23	710-0260	1	S	Carriage Bolt 5/16-18 x .62"
24	732-0118	1	S	Extension Spring
26	05379	1		Chain Guard Ass'y.
27	710-0427	1	S	Hex Bolt 3/8-16 x 2.00 4.
28	712-0130	1	/P	Hex Inst.-Nut 3/8-16 Thd.
31	784-5192	1	S	Chute Guard Ass'y.
33	736-0300	1	S	Fl.-Wash. .385" I.D. x.87" O.D.
34	741-0310	1	S	Ball Brg. .75" I.D.
35	741-0311	1	S	Flangette
36	750-0252	1	S	Spacer .375" I.D. x .60" O.D.
37	756-0358	1		Fl.-Idler w/Flanges 1.875
38	710-0198	1	S	Hex Sems Bolt 5/18 x.75" Lg.
39	710-0347	1	/P	Hex Bolt 3/8-16 x 1.75" Lg.
41	712-0301	1	/P	Hex Jam Nut 3/4-10 Thd.
42	712-0342	1	/P	Hex Jam Nut 3/8-16 Thd.
43	713-0188	1		Sprocket Ass'y.-14 Teeth
44	713-0189	1		#420 Chain x 1/2" Pitch-77 Links
	713-0154	1	S	Master Link
45	714-0388	1	S	#61 Hi-Pro-Key 3/16 x 5/8"
46	715-0118	1	S	Spring Pin Spir. 5/16" Dia. x 1.75" Lg.
47	712-0107	1	S	Hex L-Nut 1/4-20 Thd.
48	736-0169	1	S	L.-Wash. 3/8" I.D.
49	736-0235	1		Fl.-Wash. .406" I.D. x 1.25"
50	736-0367	1	S	Spring L.-Wash. 3/4" I.D.
51	741-0309	1	S	Self Allgning Brg.
52	741-0311	1	S	Flangette
53	756-0417	1	S	Idler Pulley
54	756-0456	1		5/8 V Pulley .75" I.D. x 6"
55	784-5077	1		Drive Shaft Ass'y.
56	05066	1		Joint Brkt. Ass'y.
57	711-0584			

190-491-190 36" Snow Thrower (1988)
36" Snow Thrower Tine Assembly

Page 6 of 6

Ref #	Part Number	Qty	S/P/F	Description
58	728-0147	1		Oval Head Rivet
59	715-0129	1		Spiral Pin 1/8" Dia.
60	736-0140	1	S	Fl.-Wash. .385" I.D. x .62"
61	747-0523	1		Chute Crank Ext. Rod
62	784-5084	1	/P	Chute Crank Ass'y. R.H.
63	741-0475	1	S	Plastic Bushing .380" I.D.
64	784-5085	1	S	Chute Crank Brkt.
65	710-0258	1	S	Hex Bolt 1/4-20 x .62" Lg.
66	710-0599	1	/P	Hex Wash. S-Tap Scr. 1/4-20 x.50" Lg.
67	712-0287	1	S	Hex Nut 1/4-20 Thd.
68	736-0329	1	S	L.-Wash. 1/4" I.D.
69	784-5214	1		Belt Cover
70	784-5215	1		Drive Shaft Cover
71	741-0494	1		Plastic Bushing
72	07386	1		Washer.39" I.D. x 1.75" O.D
73	710-0371	1	/P	Hex Bolt 5/16-18 x .88" Spec
75	714-0507	1	S	Cotter Pin 3/32" Dia.
78	736-0163	1	S	Fl.-Wash. 1.03" I.D. x 1.62"
80	736-0250	1	/P	Fl.-Wash. 1.0" x 1.75"
81	784-5216	1	S	Rotor Paddle Ass'y.
82	784-5219	1	S	36" Spiral Ass'y.-L.H.
83	784-5220	1		36" Spiral Ass'y.-R.H.
84	05360	1		Bearing Hsg. Ass'y.
85	716-0121	1	S	Snap Ring for 1.50" Shaft
86	741-0170	1	S	Flange Brg. w/flats 1.00" I.D.
87	713-0177	1		Sprocket Hub Ass'y. 40 Teet
89	738-0229	1		Spiral Axle
90	731-0851	1	S	Chute Flange Keeper
91	710-0442	1	S	Hex Bolt 5/16-18 x 1.5" Lg.
92	710-0474	1	/P	Hex Bolt 1"-13 x 1.25" Lg.
93	736-0921	1	S	L.-Wash. 1/2" I.D.
94	712-0206	1	S	Hex Nut 1/2"13 Thd.
95	754-0294	1	S	"V" Belt
96	749-0675	1		Chute Crank Support Tubing
97	741-0475	1	S	Plastic Bushing
98	747-0438	1	S	Chute Crank 34.5" L.g
99	715-0138	1	S	Roll Pin .12 Dia. x .63
100	726-0100	1	S	Push Nut 3/8" Rod
101	720-0201	1	S	Knob Black
102	05836	1		Linkage Arm
103	747-0481	1		Eye Bolt 5/16-18 x 3.0" Lg.
104	741-0322	1		Idler Spacer